



# **IQL Albireo 55/85/165 Floodlight**

**Offshore Industries**  
**Petro-Chemical Industries**  
**Work Area Illumination**  
**General Industrial Lighting**



# IQL Albireo Floodlight

## Overview

Robust yet light in weight, the IQL Albireo Floodlight is a proven alternative to other light sources.

The IQL Albireo is available as either an Ex-hazardous Area or Industrial Safe Area version – both of which are manufactured as sealed units.

The GRP Ex e junction box contains sealing material which is highly resistant to weather and seawater.

## Characteristics

- IQL Albireo 55/85 – Life expectancy approx. 100,000 hours
- IQL Albireo 165 – Life expectancy approx. 60,000 hours
- Sealed unit
- Shock and vibration resistant
- Patented construction
- Lightweight

## Technical Details

<b>Model</b>	<b>IQL Albireo 55</b>
<b>Light source</b>	QL (Induction)
<b>Luminous flux (light source)</b>	3,650 lm
<b>Luminous flux (light source) lm/w</b>	66 lm/W
<b>Lamp lumen depreciation</b>	30 % loss after 60,000 hours
<b>System power</b>	55 W
<b>Light colour</b>	Standard White (colour 830)
<b>Colour rendering</b>	Ra>80
<b>Ambient temperature</b>	-40 °C up to +40 °C
<b>Burning position</b>	Universal
<b>(Re)ignition</b>	Immediate
<b>Voltage range</b>	200 – 277 Vac/dc ± 6 %
<b>Power factor/Cos φ</b>	>0.98
<b>IP Rating</b>	IP66
<b>IEC protection classes</b>	Class 1
<b>Lens</b>	Toughened glass
<b>Mercury level</b>	5.0 mg
<b>Housing</b>	Aluminium seawater resistant
<b>Housing colour</b>	RAL 7032 (grey)
<b>Weight of the light fitting</b>	10.6 kg
<b>Package weight</b>	12.3 kg
<b>Package dimensions</b>	400 x 400 x 620 mm LxWxH
<b>Standard version</b>	Ex e junction box with 1x M25 entries (GRP) Terminals suitable for max. 4 mm <sup>2</sup>

## Certificate Details

<b>Model</b>	<b>IQL Albireo 55</b>
<b>ATEX classification</b>	Group II, Category 2, Gas and Dust
<b>Area classification</b>	Category 2 (Zone 1 and 21, 2 and 22)
<b>Certificate (ATEX)</b>	KEMA 02ATEX1257X
<b>Certificate (GOST)</b>	POCC NL.HO06.B00732
<b>Marking</b>	Ex II 2 GD Ex e mb T4 T135 °C
<b>CE</b>	Yes



**IQL Albireo 85**

QL (Induction)
6,200 lm
73 lm/W
30 % loss after 60,000 hours
85 W
Standard White (colour 830)
Ra>80
-40 °C up to +40 °C
Universal
Immediate
200 – 277 Vac/dc ± 6 %
>0.98
IP66
Class 1
Toughened glass
5.0 mg
Aluminium seawater resistant
RAL 7032 (grey)
10.6 kg
12.3 kg
400 x 400 x 620 mm LxWxH
Ex e junction box with 1x M25 entries (GRP)
Terminals suitable for max. 4 mm <sup>2</sup>

**IQL Albireo 165**

QL (Induction)
12,000 lm
73 lm/W
30 % loss after 60,000 hours
165 W
Standard White (colour 830)
Ra>80
-40 °C up to +40 °C
Universal
Immediate
200 – 277 Vac/dc ± 6 %
>0.98
IP66
Class 1
Toughened glass
7.0 mg
Aluminium seawater resistant
RAL 7032 (grey)
15 kg
17 kg
LxWxH 400 x 400 x 620 mm
Ex e junction box with 1x M25 entries (GRP)
Terminals suitable for max. 4 mm <sup>2</sup>

**IQL Albireo 85**

Group II, Category 2, Gas and Dust
Category 2 (Zone 1 and 21, 2 and 22)
KEMA 02ATEX1257X
POCC NL.HO06.B00732
Ex II 2 GD Ex e mb T4 T135 °C
Yes

**IQL Albireo 165**

Group II, Category 2, Gas and Dust
Category 2 (Zone 1 and 21, 2 and 22)
KEMA 02ATEX1257X
POCC NL.HO06.B00732
Ex II 2 GD Ex e mb T3 T160 °C
Yes

**Optional**

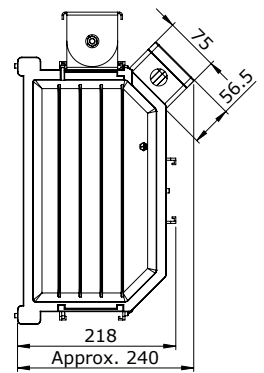
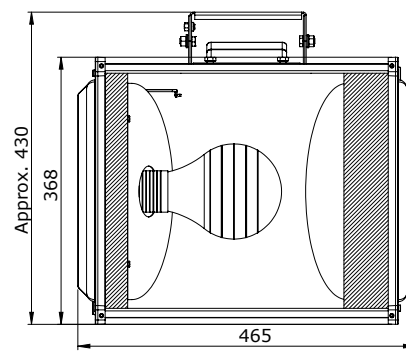
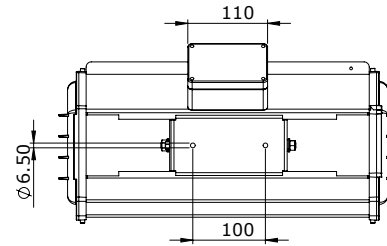
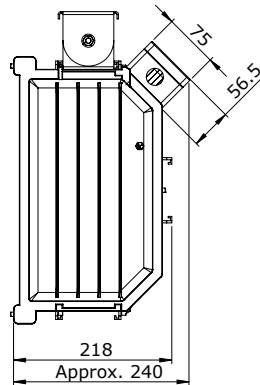
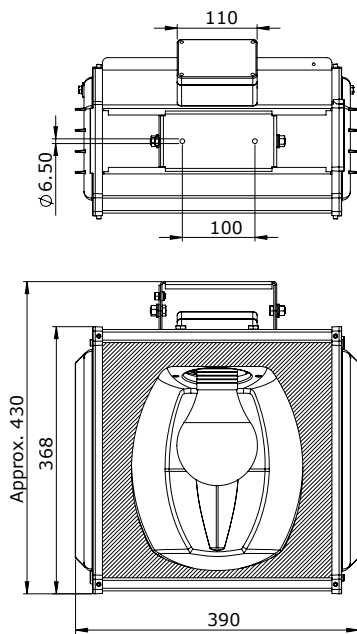
<b>Light colour</b>	Warm White (colour 827) Cool White (colour 840) ClearSky (colour 290)
<b>Voltage range</b>	100 – 120 Vac/dc ± 6 %
<b>Cable</b>	On request
<b>Mounting</b>	Stainless steel AISI 316L mounting bracket

**The IQL Albireo Floodlight with an excellent light output up to 12,000 lumen and a life expectancy up to 100,000 hours.**

**Sealed unit****Marine Grade Aluminium****Bracket – Stainless steel****Ex e junction box**

## IQL Albireo 55/85

## IQL Albireo 165



Article Code	Version	Wattage	Voltage	Connection	Weight
EQFH4BA0B241	Ex	55 W	230V	Ex e junction box with 2 x M25 x1.5 entries	10.6 kg
EQFH4BA0B441	Safe Area	55 W	230V	Standard junction box with 2 x M25 x1.5 entries	10.6 kg
EQFI4BA0B241	Ex	85 W	230V	Ex e junction box with 2 x M25 x1.5 entries	10.6 kg
EQFI4BA0B441	Safe Area	85 W	230V	Standard junction box with 2 x M25 x1.5 entries	10.6 kg
EQFJ4BA0B241	Ex	165 W	230V	Ex e junction box with 2 x M25 x1.5 entries	15.0 kg
EQFJ4BA0B441	Safe Area	165 W	230V	Standard junction box with 2 x M25 x1.5 entries	15.0 kg



**IMT B.V.**  
 Pascalweg 10a, 4104 BG Culemborg  
 P.O. 88, 4100 AB Culemborg  
 The Netherlands  
 Tel: +31 88 12 69 100  
[www.imt.eu](http://www.imt.eu)

**Subsidiaries:**  
 United Kingdom  
 Singapore  
 Germany

**Distributors:**  
[www.imt.eu/distributors](http://www.imt.eu/distributors)

For more information see [www.imt.eu/subsidiaries](http://www.imt.eu/subsidiaries)